

SMT Circulator for WiMax

Dorado International introduces Surface Mount Circulator for 3.5GHz WiMax. This circulator provides an excellent match between the antenna and T/R circuitry and is designed for standard reflow processing. Model 3CDMG35-4 is RoHS Compliant, WiFi / WiMAX SMT Circulator for high performance, broadband LAN's and mobile applications. This Circulator is designed to meet the WiMAX (802.16) specifications.



FEATURES

- Low Profile
- High Performance
- Low Cost
- Standard Reflow Processing, Pick & Place Automation
- Lead Free and ROHS Compliant

SPECIFICATIONS

Model Number: 3CDMG35-4

Frequency Range: 3.2 to 3.8 GHz

Insertion Loss: 0.5dB

Isolation: 18dB

VSWR: 1.30

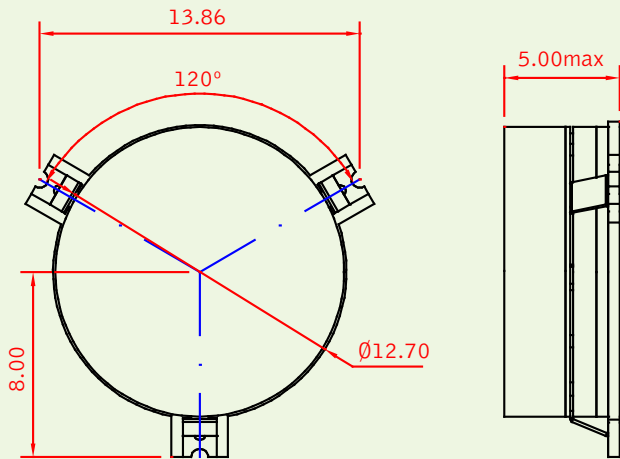
Power: 10W

Operating Temperature: -40°C to +70°C

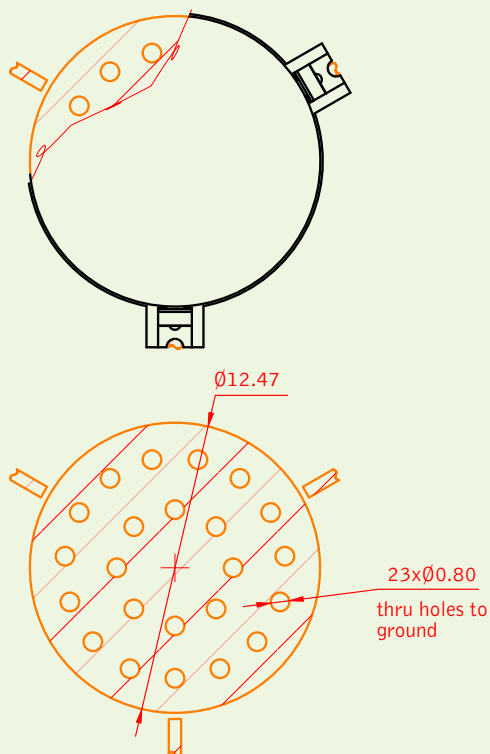
Size: \varnothing 12.7 x 5.0mm

SMT Circulator for WiMax

OUTLINE DRAWING



PCB LAYOUT



Model: 2CMSM-3.5-4-3.5BW17.14 S/N 0001

Frequency: 3,20 to 3,80 GHz

Data Code: 19.03.2007

Temp = Room

