

# DROP-IN ISOLATORS FOR POINT-TO-POINT Telecommunication Systems

## FEATURES

- Frequency from 2.5 GHz up to 14.5 GHz
- Small package and low weight
- High Performance
- Competitive price
- No beryllium oxide
- Custom products
- Gold or Silver plated tabs
- Lead free and ROHS compliant



FREQ. RANGE (GHz)	ISOLATOR MODEL	INS. LOSS dB (MAX)	ISOLATION dB (MIN)	VSWR (MAX)	FORWARD POWER (W)	LOAD POWER (W)	OPERATING TEMP. RANGE	OUTLINE #
2.5-2.7	3IDS26-1Y	0.35	20	1.25	20	10	-30° to +70° C	1
3.05-3.5	3IDS32-1Y	0.6	16	1.40	20	10	-30° to +70° C	2
5.8-7.1	3IDS64-1Y	0.5	19	1.30	20	10	-30° to +70° C	2
7.1-7.9	3IDS75-1Y	0.4	21	1.20	20	10	-30° to +70° C	2
7.7-8.5	3IDS81-1Y	0.4	21	1.20	20	10	-30° to +70° C	2
10.0-11.7	4IDS11-1Y	0.5	19	1.30	20	10	-30° to +70° C	2
13.7-14.5	4IDS14-1Y	0.5	20	1.25	20	2	-30° to +70° C	3

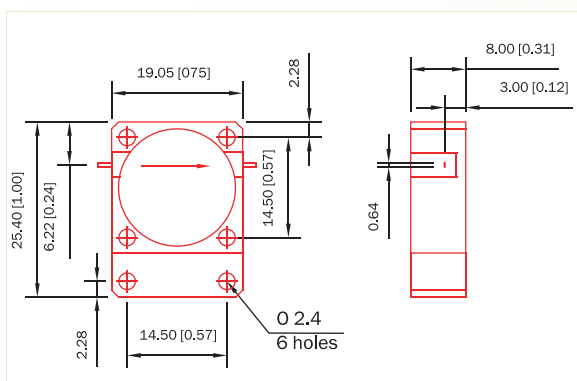


Fig. 1

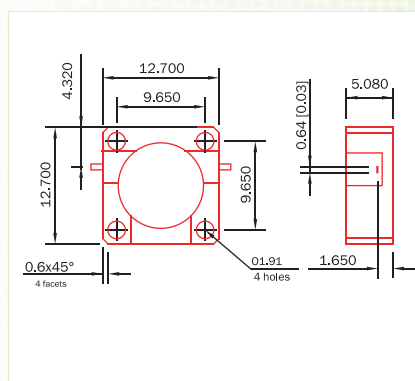


Fig. 2

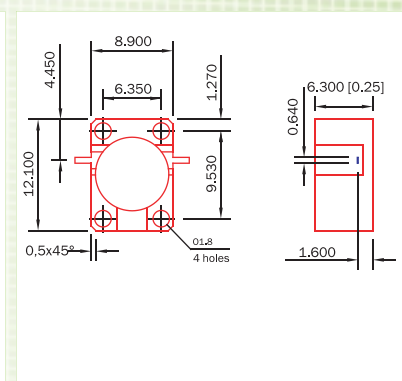


Fig. 3



998 Industry Drive  
Seattle, WA 98188 USA

Tel: (206) 574-0900  
Fax: (206) 574-0912

E-mail: sales@dorado-intl.com  
Visit: www.dorado-intl.com